

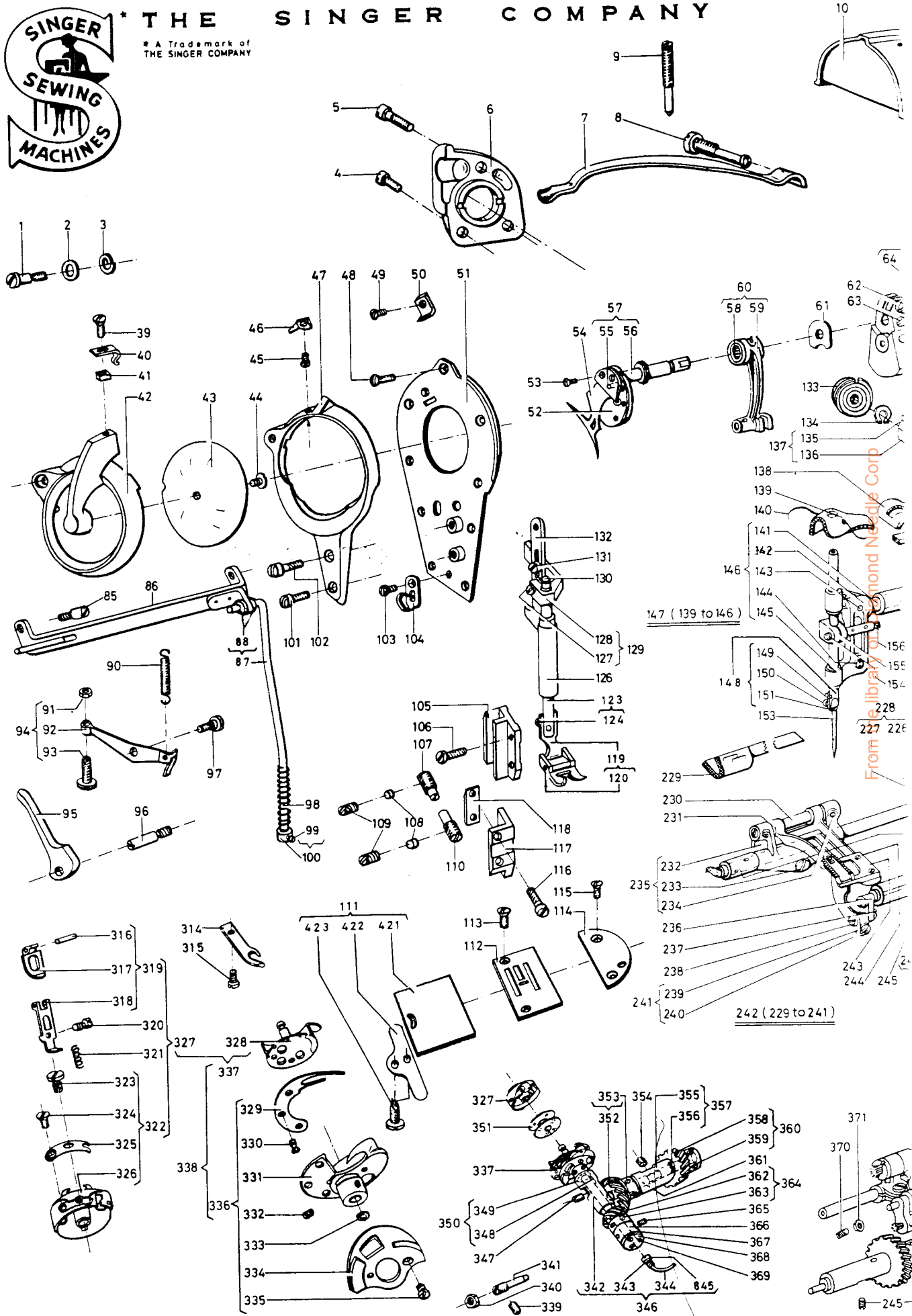
SINGER

457G1,G5

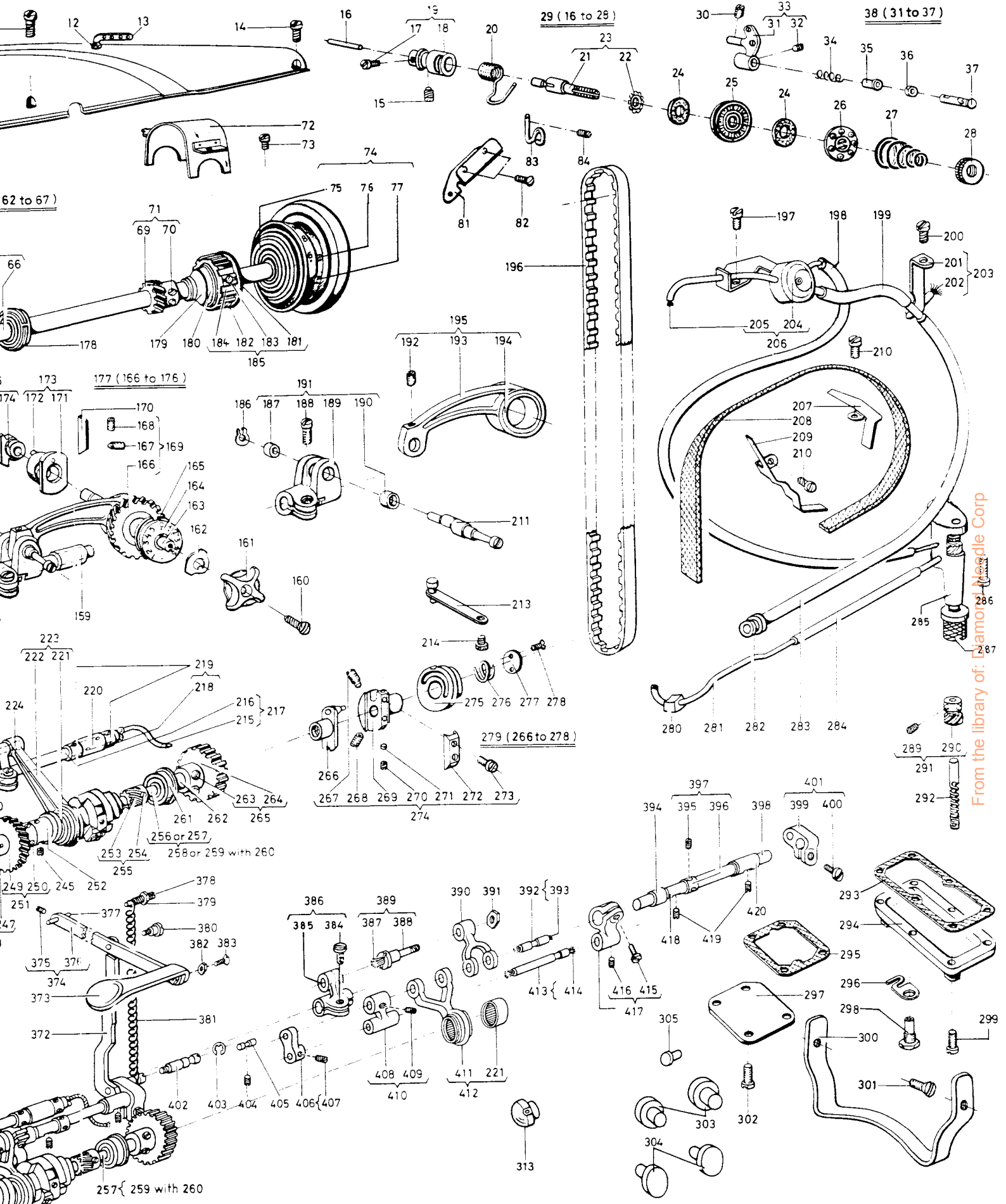


THE SINGER COMPANY

* A Trademark of THE SINGER COMPANY



From the library of Diamond Needle Corp

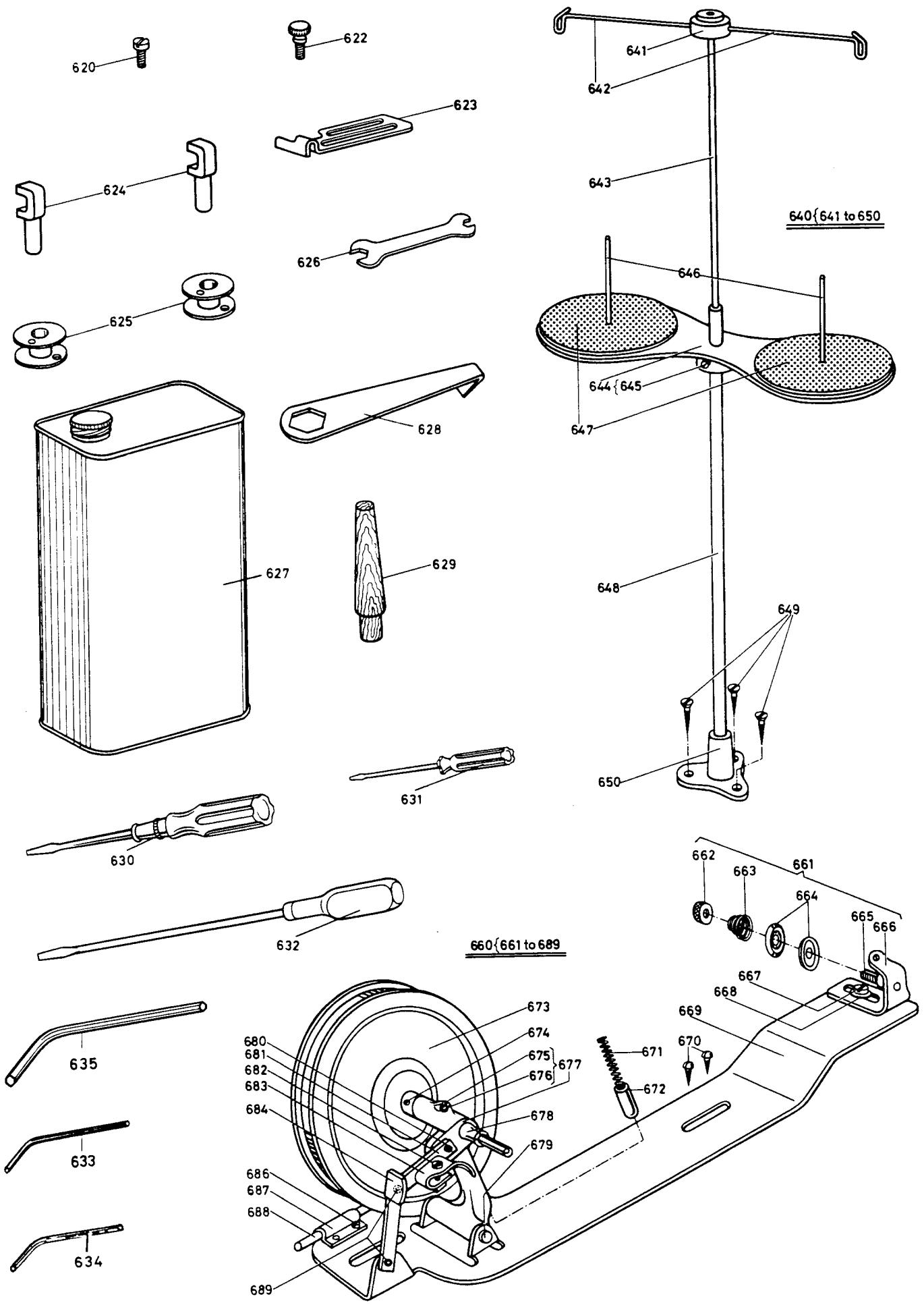


From the library of: Diamond Needle Corp

SINGER

457 G1 and 457 G5

Copyright © 1966 by THE SINGER COMPANY Form 30-258 G (Rev.1066) Printed in WESTERN GERMANY



Ill. Ref. No.	Part No.	for Class G1 G5	Name	Components	Ill. Ref. No.	Part No.	for Class G1 G5	Name
1	61-850	x x	Rotary Take-up Guard Hinge Screw		70	500318-833	x x	Needle Vibrating Screw (2)
2	230743-803	x x	Rotary Take-up Guard Hinge Thrust Washer		71	502929-002	x x	Needle Vibrating
3	502622	x x	Rotary Take-up Guard Cover Hinge Screw Spring Washer		72	502630	x x	Needle Vibrating Shield
4	500268-805	x x	Arm Cover (back) Screw (short)(2)		73	207-805	x x	Needle Vibrating Shield Screw
5	500267-805	x x	Arm Cover (back) Screw (long)		74	272227	x x	Machine Pulley
6	502502	x x	Arm Cover (back)		76	272142	x x	Arm Shaft Ball
7	502653	x x	Presser Bar Spring		77	272226	x	Machine Pulley and 141567
8	500261-850	x x	Presser Bar Spring Screw Stud		79	141566-803	x x	Machine Pulley
9	500260-803	x x	Presser Bar Spring Screw (Pressure regulating)		80	141567-803	x x	Machine Pulley
10	502503	x x	Arm Cover (top)		81	502665	x x	Thread Guide
11	500267-805	x x	Arm Cover (top) Screw (front)(2)		82	500246-819	x x	Thread Guide
12	1654-805	x x	Thread Retainer Lock Nut		83	502666	x x	Thread Pull-off
13	502667	x x	Thread Retainer		84	460-819	x x	Thread Pull-off
14	500268-805	x x	Arm Cover (top) Screw (2)		85	140145-803	x x	Knee Lifter Rod Screw (2)
15	500265-850	x x	Thread Take-up Spring Regulator Set Screw		86	502588	x x	Knee Lifter Rod
16	270086	x x	Tension Releasing Pin		87	202302	x x	Knee Lifter Li
17	50305-803	x x	Tension Stud Set Screw		88	502697	x x	Knee Lifter Li
18	502669	x x	Thread Take-up Spring Regulator Cpl.	50305, 502669	89	502585	x x	Knee Lifter Li
19	502698	x x	Thread Take-up Spring		90	502662	x x	Tension Releas
20	502668	x x	Thread Take-up Spring		91	1747-805	x x	Tension Releas Screw Lock Nut
21	50304	x x	Tension Stud		92	502660-001	x x	Tension Releas
22	272220	x x	Tension Washer	50304, 272220	93	500259-803	x x	Tension Releas Screw
23	276225	x x	Tension Stud		94	502661-001	x x	Tension Releas
24	202079	x x	Tension Wheel Washer (felt)(2)		95	276027	x x	Presser Bar Li
25	272221	x x	Tension Wheel		96	1349-803	x x	Presser Bar Li
26	272218	x x	Tension Releasing Disc		97	500275-803	x x	Tension Releas
27	272219	x x	Tension Spring		98	502586	x x	Knee Lifter Li
28	1560-803	x x	Tension Thumb Nut	1560, 270086, 272218, 272219, 272221, 276225, 502668, 502698, two 202079	99	200113-806	x x	Knee Lifter Li Set Screw
29	502663	x x	Tension (rotary) Complete		100	227227	x x	Knee Lifter Li with 200113
30	50429-833	x x	Pretension Bracket Screw		101	1454-819	x x	Rotary Take-up
31	502654	x x	Pretension Bracket	460, 502654	102	1485-819	x x	Rotary Take-up
32	460-819	x x	Pretension Stud Set Screw		103	500262-819	x x	Thread Guide
33	502699	x x	Pretension Bracket Cpl.		104	276051	x x	Thread Guide
34	272208	x x	Pretension Spring		105	502604	x x	Needle Bar Conn Block
35	210993	x x	Pretension Sleeve		106	51369-850	x x	Needle Bar Conn Block Screw (2)
36	210958	x x	Pretension Stud Collar	210958, 210993, 272208, 272209, 502699	107	500255-803	x x	Needle Bar Yoke
37	272209	x x	Pretension Stud		108	241763	x x	Needle Bar Yoke Packing (2)
38	502658	x x	Pretension Bracket Complete		109	462-830	x x	Needle Bar Yoke
39	500246-819	x x	Rotary Take-up Guard Cover Spring Catch Screw		110	500254-803	x x	Needle Bar Yoke
40	276508	x x	Rotary Take-up Guard Cover Spring Catch		111	502522	x x	Bed Slide
41	1529-805	x x	Rotary Take-up Guard Cover Spring Catch Screw Nut		112	210600	x x	Throat Plate
42	502657	x x	Rotary Take-up Guard Cover		113	500244-833	x x	Throat Plate S
43	272128	x x	Rotary Take-up Guard Cover Window		114	210505	x x	Bed Plate (back)
44	1423-819	x x	Rotary Take-up Guard Cover Window Screw		115	500244-833	x x	Bed Plate (back)
45	237-819	x x	Thread Cutter Screw		116	51369-850	x x	Needle Bar Conn Clamping Plate
46	502670	x x	Thread Cutter		117	502600	x x	Needle Bar Conn Guide Block
47	502656	x x	Rotary Take-up Guard		118	502601	x x	Needle Bar Conn Clamping Plate
48	500246-819	x x	Face Plate Screw (9)		119	202090	x x	Presser Foot H
49	500262-819	x x	Thread Cutter Screw		120	203029	x	Presser Foot P
50	502664	x x	Thread Cutter		121	503617	x	Presser Foot P
51	502537	x x	Face Plate		122	210620	x x	Presser Foot S
52	502659	x x	Rotary Take-up Mounting Disc with three 272212		122	210569	x	Presser Foot (1)
53	500244-833	x x	Rotary Take-up Screw (2)		123	500256-803	x x	Presser Foot Sc
54	502655	x x	Rotary Take-up		124	502695	x x	Presser Bar
55	270161	x x	Needle Bar Crank Stud Pin	270161, 502607	125	502652	x x	Presser Bar Conn
56	502607	x x	Needle Bar Crank Stud		126	276536	x x	Presser Bar Bus
57	502694	x x	Needle Bar Crank Stud Cpl.		127	51369-850	x x	Presser Bar Pos Pinch Screw
58	270266	x x	Needle Bar Connecting Link Needle Bearing		128	502645	x x	Presser Bar Pos
59	*502599	x x	Needle Bar Connecting Link	270266, 502599	129	502696	x x	Presser Bar Pos Complete
60	502598	x x	Needle Bar Connecting Link Complete		130	276025	x x	Presser Bar Ba
61	276114	x x	Needle Bar Connecting Link Thrust Washer		131	86-803	x x	Knee Lifter Li
62	140172-803	x x	Needle Bar Crank Stud Pinch Screw		132	502584	x x	Knee Lifter Li
63	1259-830	x x	Needle Bar Crank Stud Position Screw		133	272144	x x	Needle Vibrating Bearing (rear)
64	*502605	x x	Needle Bar Crank		134	502634	x x	Needle Vibrating Bearing Snap R
65	502927	x x	Arm Shaft and Needle Bar Crank Pin	502605, 502722-001	135	447-830	x x	Needle Vibrating Stop Set Screw
66	*502722-001	x x	Arm Shaft		136	502629	x x	Needle Vibrating
67	502723-001	x x	Arm Shaft and Needle Bar Crank Complete	1259, 140172, 502723-001				
68	502681-001	x x	Arm Shaft Complete					
69	265837	x x	Needle Vibrating Pinion					

List of Parts 457 G1/G5 to SINGE

Ill. Ref. No.	Part No.	For Class G1 G5	Name	Components	Ill. Ref. No.	Part No.
307	502899	x x	Hook Gear Box Vent Complete	500248-002, 502900, 502901	368	502611
					369	1472-805
308	500248-002	x x	Hook Gear Box Vent Screw		370	500286-803
309	502901	x x	Hook Gear Box Vent Tube			
310	502903	x x	Hook Gear Box Vent Adaptor Clamping Sleeve Nut		371	1520-803
311	502904	x x	Hook Gear Box Vent Adaptor Clamping Sleeve		372	502743
312	502902	x x	Hook Gear Box Vent Adaptor Nipple		373	502749
313	502900	x x	Hook Gear Box Vent Adaptor with 502902, 502903, 502904		374	502746
314	502536	x x	Bobbin Case Stop		375	460-850
315	190-805	x x	Bobbin Case Stop Screw		376	502747
316	210735	x x	Bobbin Case Latch Fulcrum Pin		377	502748
317	502717	x x	Bobbin Case Latch Lever		378	350583-819
318	210913	x x	Bobbin Case Latch		379	1517-819
319	502529	x x	Bobbin Case Latch Complete	210735, 210913, 502717	380	140379-803
320	200964-803	x x	Bobbin Case Latch Stop Screw		381	502745
321	210736	x x	Bobbin Case Latch Spring		382	51676-819
322	502716	x x	Bobbin Case Cap Complete	200592, 201016, 271964, 502528	383	1319-819
323	201016-803	x x	Bobbin Case Tension Spring Regulating Screw		384	500227-805
324	200592-803	x x	Bobbin Case Tension Spring Screw		385	502734
325	271964	x x	Bobbin Case Tension Spring		386	502733
326	502528	x x	Bobbin Case Cap		387	206758
327	502530	x x	Bobbin Case Cap Complete	200964, 210736, 502529, 502716	388	500283-803
328	502527	x x	Bobbin Case Base		389	502735
329	502538	x x	Hook Gib			
330	141525-806	x x	Hook Gib Screw (3)		390	502732
331	502532	x x	Hook Body with 502535, 502563		391	1708-803
332	500306-830	x x	Hook Set Screw			
333	502563	x x	Hook Oil Retaining Washer		392	276171
334	502539-002	x x	Hook Needle Guard and Counterbalance		393	244071
335	141507-803	x x	Hook Needle Guard and Counterbalance Screw		394	502737
336	502562	x x	Hook Complete	141507, 502532, 502538, 502539-002, two 500306, three 141525, 502527, 502530, 502531, 502562	395	500288-803
337	502531	x x	Bobbin Case Complete		396	502740
338	502534	x x	Hook and Bobbin Case Cap Cpl.		397	502739
339	457-805	x x	Hook Oil Bypass Plug Screw		398	502738
340	500786-805	x x	Hook Oil Regulating Screw Nut		399	502742
341	500247-805	x x	Hook Oil Regulating Screw		400	1404-805
342	502568	x x	Hook Shaft			
343	276236-805	x x	Hook Shaft Oil Filter Wick Screw		401	502741
344	502928	x x	Hook Shaft Oil Filter Felt (wick)		402	500287-803
345	502580	x x	Hook Shaft Oil Filter Wick Screw Holder Seal		403	502744
346	502677	x x	Hook Shaft Complete	276236, 502568, 502580, 502928	404	453-803
347	858-830	x x	Hook Shaft Pressure Bushing (back) Set Screw		405	276209
348	502582	x x	Hook Shaft Pressure Bushing (back) Oil Wick		406	276208
349	502581	x x	Hook Shaft Pressure Bushing (back)		407	200386-803
350	502676	x x	Hook Shaft Pressure Bushing (back) Complete	502581, 502582	408	502731
351	502526	x x	Bobbin		409	458-830
352	143014	x x	Hook Driving Shaft Bevel Gear with two 1259		410	502730
353	1259-830	x x	Hook Driving Shaft Bevel Gear Set Screw (2)		411	502729
354	858-830	x x	Hook Driving Shaft Bushing Set Screw		412	502728
355	502566	x x	Hook Driving Shaft Bushing		413	276206
356	502533	x x	Hook Driving Shaft Bushing Oil Wick		414	276207
357	502713	x x	Hook Driving Shaft Bushing Cpl.	502533, 502566	415	200040-805
358	502567	x x	Hook Driving Shaft Helical Gear		416	200386-803
359	1259-830	x x	Hook Driving Shaft Helical Gear Set Screw (2)		417	270830
360	502714	x x	Hook Driving Shaft Helical Gear Complete	502567, two 1259	418	276179
361	502565	x x	Hook Driving Shaft			
362	502569	x x	Hook Shaft Bevel Gear		419	453-803
363	1259-830	x x	Hook Shaft Bevel Gear Set Screw (2)		420	276162
364	502715	x x	Hook Shaft Bevel Gear Cpl.	502569, two 1259		
365	500264-830	x x	Hook Shaft Bushing (front) Set Screw			
366	502610	x x	Hook Shaft Bushing (front)			
367	502572	x x	Hook Shaft Bushing (front) Cap Gasket			

From the file by D. J. ...

No.	for Class G1 G5	Name	Components	Ill. Ref. No.	Part No.	for Class G1 G5	Name	Components
	x x	Needle Bar Yoke Connecting Link Hinge Bearing Bushing (large)		246	502515	x x	Bed Shaft Bushing (front)	
	x x	Needle Bar Yoke Connecting Link Hinge Bearing Complete	160,502616-001, 502617,502618	247	502516	x x	Bed Shaft Bushing (front) Oil Wick	
	x x	Needle Bar Yoke Connecting Link Hinge Bearing Complete		248	502703	x x	Bed Shaft Bushing (front) Complete	502515,502516
	x x	Needle Bar Yoke Connecting Link Eccentric Stud Set Screw		249	502519	x x	Bed Shaft Gear	
0-833	x x	Needle Bar Yoke Connecting Link Eccentric Stud Set Screw		230	1259-830	x x	Bed Shaft Gear Set Screw (2)	
	x x	Needle Bar Yoke Connecting Link		251	502712	x x	Bed Shaft Gear Complete	502519,two 1259
	x x	Needle Bar Yoke Connecting Link		252	502514	x x	Bed Shaft Bushing (center)	
	x x	Needle Bar Yoke Connecting Link Bushing		253	502506	x x	Oil Pump Driving Gear	
	x x	Needle Bar Yoke Connecting Link Cpl.	50429,502613, 502724	254	1258-830	x x	Oil Pump Driving Gear Set Screw (2)	
	x x	Needle Bar Yoke Connecting Link Cpl.		255	502705	x x	Oil Pump Driving Gear Cpl.	502506,two 1258
	x x	Arm Shaft Connection Belt		256	502513-001	x	Bed Shaft	
1-805	x x	Oil Sight Body Screw (2)		257	502513-002	x	Bed Shaft	
5-001	x x	Oil Delivery Tube		258	502678-001	x	Bed Shaft Cpl.	502513-001, 502579
7-001	x x	Oil Return Tube (upper)(short)		259	502678-002	x	Bed Shaft Complete	502513-002, 502579
7-805	x x	Needle Vibrating Gear Oiler Screw		260	502579	x x	Bed Shaft Oil Wick	
	x x	Needle Vibrating Gear Oiler		261	272144	x x	Bed Shaft Ball Bearing	
	x x	Needle Vibrating Gear Oiler Wick		262	502518-001	x x	Bed Shaft Connection Belt Pulley Spacer	
	x x	Needle Vibrating Gear Oiler Complete	502631,502636	263	500319-830	x x	Bed Shaft Connection Belt Set Screw (2)	
1-001	x x	Oil Sight Body		264	502517	x x	Bed Shaft Connection Belt Pulley	
1	x x	Oil Sight Body Wick		265	502704	x x	Bed Shaft Connection Belt Pulley Complete	502517,two 500319
60-001	x x	Oil Sight Body Complete	502651,502671-001	266	*502551-002	x x	Feed Driving Eccentric	
5	x x	Arm Head Oil Drain Wick Clamp (front)		267	500274-830	x x	Feed Driving Flange Position Screw	
4-001	x x	Arm Head Oil Drain Wick Clamp (back)		268	500272-830	x x	Feed Driving Flange Set Screw	
9	x x	Arm Head Oil Drain Wick Clamp (back and front) Screw (2)		269	502556	x x	Feed Driving Flange	
7-805	x x	Needle Bar Yoke Connecting Link Eccentric Stud		270	460-805	x x	Feed Driving Eccentric Friction Gib Adjusting Screw Set Screw (2)	
14	x x	Bed Plug Screw		271	502555	x x	Feed Driving Eccentric Friction Gib Adjusting Screw Set Screw Packing (2)	
25	x x	Feed Regulating Stud Button		272	502554	x x	Feed Driving Eccentric Friction Gib	
61	x x	Feed Regulating Stud Spring		273	50578-805	x x	Feed Driving Eccentric Friction Gib Adjusting Screw (2)	
25-805	x x	Feed Driving Rock Shaft Oiling Wick		274	502707	x x	Feed Driving Flange Complete	500272,500274, 502554,502556, two each 460, 50578,502555
60-001	x x	Feed Driving Rock Shaft Cpl.	502557,502560-001	275	502944	x x	Feed Driving Eccentric Adjusting Disc	
57	x x	Feed Driving Rock Shaft		276	270508	x x	Feed Driving Eccentric Adjusting Disc Spring	
09	x x	Feed Driving Rock Shaft Collar Set Screw (4)		277	502553	x x	Feed Driving Eccentric Adjusting Disc Spring Retainer	
93-803	x x	Feed Driving Rock Shaft Collar with two 200393 (2)		278	140082-805	x x	Feed Driving Eccentric Adjusting Disc Spring Retainer Screw (2)	
44	x x	Feed Driving Rock Shaft Bushing (back and front)(2)		279	502943	x x	Feed Driving Eccentric Cpl.	270508,502551-002 502944,502553, 502707,two 140082
16	x x	Feed Driving Connection Needle Bearing		280	502886	x x	Hook Shaft Gear Box Oil Pipe Holder	
49	x	Feed Driving Connection	Cpl.270016,502549	281	502575	x x	Hook Shaft Gear Box Oil Pipe	
48	x	Feed Driving Connection Hinge Screw		282	502649	x x	Oil Return Tube (lower) Grommet	
58-803	x	Feed Driving Connection Hinge Screw Nut		283	502648-001	x x	Oil Return Tube (lower) (long)	
785-805	x	Feed Driving Connection Crank Pinch Screw		284	502576-001	x x	Hook Shaft Gear Box Oil Tube (plastic)	
50	x	Feed Driving Connection Crank Complete	500227,502550	285	502701	x x	Oil Pump Outlet Tube	
57-805	x	Feed Bar Hinge Pin Oiling Felt		286	502643	x x	Oil Pump Body	
	x x	Feed Bar Hinge Pin		287	502700	x x	Oil Pump Body Complete	502643,502701
	x x	Feed Bar Hinge Pin Thrust Washer (2)		288	1186-803	x x	Oil Pump Mounting Screw (2)	
59	x x	Feed Driving Rock Shaft Crank Pinch Screw		289	50311-830	x x	Oil Pump Gear Set Screw (2)	
27-805	x x	Feed Driving Rock Shaft Crank Pinch Screw		290	502644	x x	Oil Pump Gear	
624-833	x x	Feed Bar Hinge Pin Set Screw		291	502702	x x	Oil Pump Gear Complete	502644,two 50311
710	x x	Feed Driving Rock Shaft Crank Complete	500257,502559, two 624	292	502646	x x	Oil Pump Screw Shaft	
	x x	Feed Bar Lifting Link		293	502521	x x	Bed Shaft Gear Box Cover Gasket	
545	x x	Feed Bar Lifting Link Hinge Pin Cap Screw		294	502520	x x	Bed Shaft Gear Box Cover	
888-803	x x	Feed Bar Lifting Link Hinge Pin		295	502574	x x	Hook Shaft Gear Box Cover Gasket	
546	x x	Feed Bar Lifting Link Hinge Pin		296	502543	x x	Feed Bar Hinge Pin Oiling Felt Clamp	
540-002	x x	Feed Bar		297	502573	x x	Hook Shaft Gear Box Cover	
578-805	x x	Feed Bar Lifting Link Hinge Pin Pinch Screw		298	500245-805	x x	Bed Shaft Gear Box Overflow and Drain Plug Screw	
711-002	x x	Feed Bar Complete	50578,502540-002	299	500263-805	x x	Bed Shaft Gear Box Cover Screw (6)	
575-002	x x	Feed Driving Rock Shaft Crank Complete	51388,502541, 502542,502545, 502546,502710, 502711-002, two 502544	300	502593	x x	Machine Leg (rear)	
	x x	Feed Dog		301	500250-819	x x	Machine Leg Screw (2)	
	x x	Feed Dog		302	500263-805	x x	Hook Shaft Gear Box Cover Screw	
	x x	Feed Dog		303	502885	x x	Bed Spacer (rear and right end)(3)	
	x x	Feed Dog		304	502884	x x	Bed Spacer (front)	
	x x	Feed Dog		305	502577	x x	Hook Shaft Gear Box Plug	
	x x	Feed Dog		306	502578	x x	Hook Shaft Gear Box Screw	

Name	Components
x Hook Shaft Bushing (front) Cap	
x Hook Shaft Bushing (front) Cap Set Screw (3)	
x Feed Reversing Mechanism	
x Support Link Stop Screw	
x Feed Reversing Mechanism	
x Support Link Stop Screw Nut	
x Feed Reversing Lever Connecting Link	
x Feed Reversing Lever Handle	
x Feed Reversing Lever Cpl. 460,502747	
x Feed Reversing Lever Set Screw	
x Feed Reversing Lever	
x Feed Reversing Lever Stud	
x Feed Reversing Spring Screw	
x Feed Reversing Spring Screw Nut	
x Feed Reversing Lever Hinge Screw	
x Feed Reversing Spring	
x Feed Reversing Lever Handle Screw Nut	
x Feed Reversing Lever Handle Screw	
x Feed Driving Connection Crank Pinch Screw	
x Feed Driving Connection Crank	
x Feed Driving Connection Crank Complete 500257,502734	
x Feed Driving Connection Crank Hinge Screw Oil Wick	
x Feed Driving Connection Crank Hinge Screw	
x Feed Driving Connection Crank Hinge Screw Complete 206758,500285	
x Feed Driving Connection Link	
x Feed Driving Connection Crank Hinge Screw Nut	
x Feed Driving Eccentric Connection Link Hinge Pin with 244071	
x Feed Driving Eccentric Connection Link Hinge Pin Oil Packing (wick)	
x Feed Reversing Shaft Spacer	
x Feed Reversing Shaft Collar Set Screw	
x Feed Reversing Shaft Collar	
x Feed Reversing Shaft Collar Complete 502740, two 500288	
x Feed Reversing Shaft	
x Feed Reversing Lever Connecting Crank	
x Feed Reversing Lever Connecting Crank Pinch Screw	
x Feed Reversing Lever Connecting Crank Complete 1404,502742	
x Feed Reversing Lever Connecting Link Stud	
x Feed Reversing Lever Connecting Link Stud Retainer	
x Feed Reversing Mechanism Support Link Stud Set Screw	
x Feed Reversing Mechanism Support Link Stud	
x Feed Reversing Mechanism Support Link with 200386	
x Feed Reversing Shaft Crank Hinge Stud Set Screw	
x Feed Reversing Shaft Crank Link	
x Feed Driving Eccentric Connection Link Hinge Pin Set Screw	
x Feed Reversing Shaft Crank Link Complete 458,502731	
x Feed Driving Connection	
x Feed Driving Connection Cpl. 270016,502729	
x Feed Reversing Shaft Crank Hinge Stud with 276207	
x Feed Reversing Shaft Crank Hinge Stud Oil Packing (wick)	
x Feed Reversing Shaft Crank Pinch Screw	
x Feed Reversing Shaft Crank Hinge Stud Set Screw	
x Feed Reversing Shaft Crank with 200040 and 200386	
x Feed Reversing Shaft Bushing (front)	
x Feed Reversing Shaft Bushing (back and front) Set Screw (2)	
x Feed Reversing Shaft Bushing (back)	

FOR INFORMATION

*502501-001	x	Arm
*502501-002	x	Arm
*502721-001	x	Arm and Bed (bolted and painted)
*502721-002	x	Arm and Bed (bolted and painted)
204235	x	Arm Position Pin (2)
116-805	x	Arm Set Screw (4)
202005	x	Arm Set Screw Washer (4)
*502512-001	x	Bed
*502512-002	x	Bed
*508336-015	x	Variety Plate
*508336-054	x	Variety Plate
228485	x	Variety Plate Drive Screw (2)

Parts marked with an asterisk (*) are furnished only when repairs are made at the factory.

Accessories

FOR CLASS 457 G 1 and G 5 MACHINES

Machine Base and Oil Reservoir with Knee Lifter			
501	502637	Oil Filter	
502	502587-001	Knee Lifter Plunger	
503	502642	Machine Base and Oil Reservoir Static Grounding Contact Wire	
504	502641	Machine Base and Oil Reservoir Static Grounding Contact	
505	502640	Machine Base and Oil Reservoir Gasket (short)	
506	502639-001	Machine Base and Oil Reservoir Gasket (long)	
507	502638	Machine Base and Oil Reservoir Knee Lifter Knee Plate Arm	
508	502583	Knee Lifter Knee Plate Set Screw	
509	350231-803	Knee Lifter Knee Plate with 350231	
510	288364	Knee Lifter Rock Shaft Hub Pinch Screw (2)	
511	500249-805	Knee Lifter Rock Shaft Hub	
512	502591	Knee Lifter Rock Shaft Hub Cpl.	502591, two 500249
513	502720	Knee Lifter Rock Shaft Hub	
514	268072	Knee Lifter Rock Shaft Collar with two 200386	
515	200386-803	Knee Lifter Rock Shaft Collar Set Screw (2)	
516	502589	Knee Lifter Rock Shaft Crank	
517	502590	Knee Lifter Rock Shaft Crank Pinch Screw	
518	500266-805	Knee Lifter Rock Shaft Crank Stop Screw (right)	
519	500271-805	Knee Lifter Rock Shaft Crank Stop Screw (left)	
520	500270-805	Knee Lifter Rock Shaft Crank Stop Screw (left) Nut	
521	500785-805	Knee Lifter Rock Shaft Crank Stop Screw (right) Nut	
522	500785-805	Knee Lifter Rock Shaft Crank Stop Screw (right) Nut	
523	502719	Knee Lifter Rock Shaft Crank Cpl.	500266, 500271, 500278
524	502680	Machine Base and Oil Reservoir with Knee Lifter Complete	228364, 26502583, 5002589, 5002638, 5002640, 5002642, 5002720
620	176-850	Attachment Screw	
622	289-850	Cloth Guide Thumb Screw	
623	231337	Cloth Guide	
624	12361	Machine Hinge Connection (2)	
625	502526	Bobbin (2)	
626	225554	Wrench	
627	121741	One Quart Can filled with light grade Oil	
628	503645	Combined Screw Driver and Screw Wrench	
629	41400	Machine Rest Pin (wood)	
630	225498	Screw Driver	
631	228476	Screw Driver (Bobbin Case)	
632	120440	Screw Driver	

From the Library of: Diamond Needle Corp

Thread Unwinder

640	228776	Thread Unwinder Complete (for two Spools)	228766 to 228768, 228770,228774, two each 150203, 228764,228769 and three Wood Screws
641	228770	Thread Unwinder Thread Guide Holder	
642	228769	Thread Unwinder Thread Guide (2)	
643	228774	Thread Unwinder Thread Guide Rod	
644	228766	Thread Unwinder Spool Rest with 201254	
645	201254-803	Thread Unwinder Spool Rest Set Screw	
646	228764	Thread Unwinder Spool Pin (2)	
647	150203	Thread Unwinder Spool Rest Cushion (felt)(2)	
648	228767	Thread Unwinder Spool Rest Rod	
649	---	Thread Unwinder Wood Screw (7/8 in. No. 12)(3)	
650	228768	Thread Unwinder Spool Stand	

Universal Bobbin Winder

660	249462	Universal Bobbin Winder Cpl.	200056,200082, 200113,200299, 202478,225381, 225444,225453 to 225456,225458, 225462,228026, 259428,259429, 259662,259930, two each 225459 and Wood Screw
661	225462	Bobbin Winder Tension Bracket Cpl.	13710,201572, 225461 and two 2102
662	201572-819	Bobbin Winder Tension Stud Thumb Nut	
663	13710	Bobbin Winder Tension Spring	
664	2102	Bobbin Winder Tension Disc (2)	
665	201499-819	Bobbin Winder Tension Stud	
666	225461	Bobbin Winder Tension Bracket with 201499	
667	200082-804	Bobbin Winder Tension Bracket Screw	
668	228026	Bobbin Winder Tension Bracket Screw Washer	
669	259662	Bobbin Winder and Tension Bracket Base	
670	---	Bobbin Winder Wood Screw (3/4 in. No. 12 RHB)(2)	
671	225456	Bobbin Winder Frame Spring Plunger	
672	225455	Bobbin Winder Frame Spring	
673	259930	Bobbin Winder Pulley with 457	
674	457-830	Bobbin Winder Pulley Set Screw	
675	244071	Bobbin Winder Frame Oil Packing (wick)	
676	259660	Bobbin Winder Frame Oil Well Washer	
677	225453	Bobbin Winder Frame with 244071 and 259660	
678	225381	Bobbin Winder Spindle	
679	225454	Bobbin Winder Frame Hinge Pin	
680	200299-819	Bobbin Winder Stop Latch Trip Lever Hinge Screw	
681	202478	Bobbin Winder Stop Latch Trip Lever	
682	200056-805	Bobbin Winder Stop Latch Screw	
683	225444	Bobbin Winder Stop Latch	
684	225458	Bobbin Winder Stop Latch Thumb Screw	
686	200113-806	Bobbin Winder Brake Clamp Screw	
687	259429	Bobbin Winder Brake Clamp	
688	259428	Bobbin Winder Brake (leather)	
689	225459	Bobbin Winder Stop Latch Thumb Lever Hinge Stud (2)	
---	1906-12-1	Needle (3)	
---	1906-14-1	Needle (2)	

From the library of: Diamond Needle Corp

0,
0,

2,
7-001
7,
9-001
1,
9,

Form 30-258a G

Copyright 1964 by THE SINGER COMPANY

Printed in WESTERN GERMANY

Accessories
FOR
457 G 1
457 G 5

